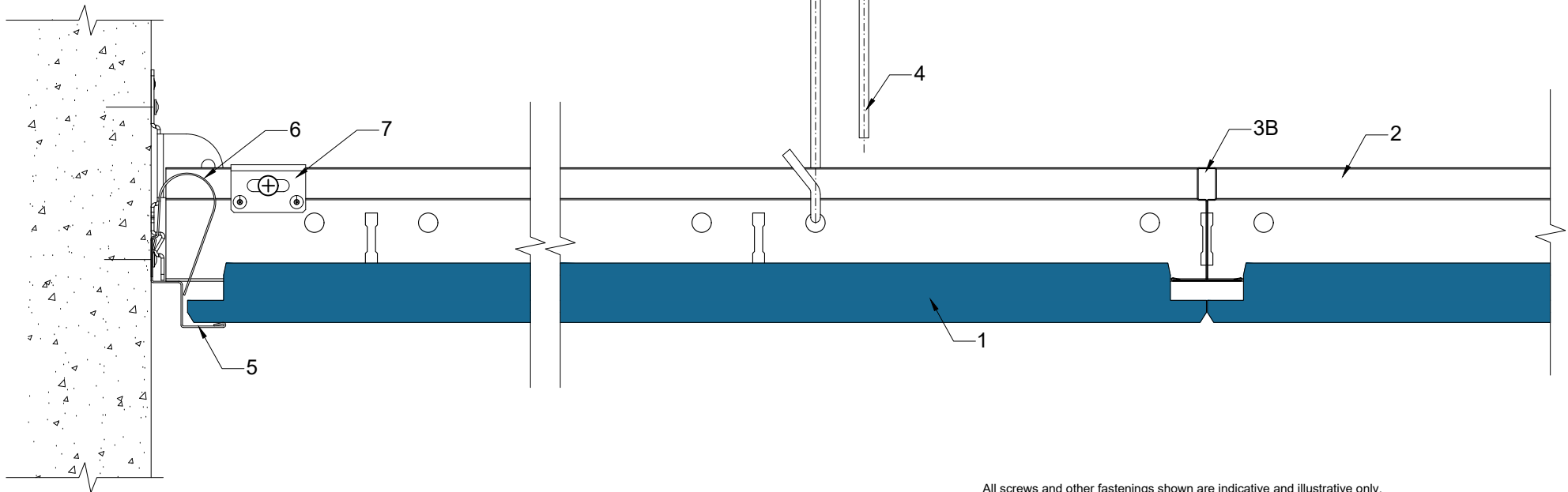


B-B



1. Tile ROCKFON, edge Z
2. Mainrunner T24 C/H38 3600 white
- 3B. Cross Tee T24 C38 1200 white
4. Adjustable hanger
5. Shadow trim RFN1015
6. Wall spring FIXT
7. Wall and bridging bracket

All screws and other fastenings shown are indicative and illustrative only.
Specific fasteners should be chosen dependent on substrates and materials being used.

Information:

Rockfon system Z T24
Perimeter detail
Shadowtrim – X2 edge

Date:

02-08-2022

Drawing No.:

SCA-01-T24-ZZ-12.2

Contact information:

info@rockfon.dk

Drawing Type:

TECHNICAL

Drawn by:

OPTS

Scale:

1:2

Revision No.:

1



We kindly draw your attention to the fact that the above drawings should be considered as guidelines and therefore are without responsibility on the part of Rockfon.