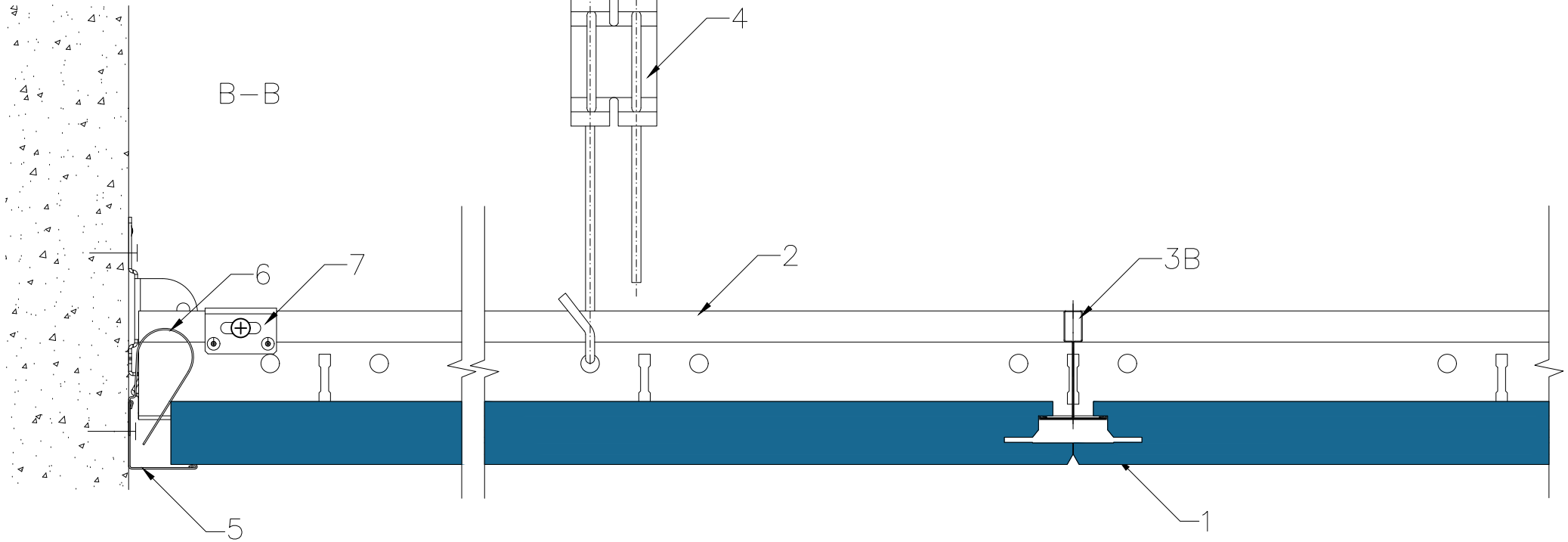



1. Tile ROCKFON, edge X
2. Mainrunner T24 C/H38 3600 white
- 3B. Cross Tee T24 C38 1200 white
4. Adjustable hanger
5. Wall Angle 24/24 3050 white
6. Wall spring FIXT
7. Wall and bridging bracket



All screws and other fastenings shown are indicative and illustrative only.
Specific fasteners should be chosen dependent on substrates and materials being used.

| | | | | |
|---|--|-----------------------------------|----------------------|---|
| Information: Rockfon system X T24 Perimeter detail Wall angle – X1 edge | Date: 28-02-2023 | Drawing Type: TECHNICAL | |  |
| | Drawing No.: SCA-01-T24-XX-13.1 | Drawn by: OPTS | Scale: 1:2 | |
| | Contact information: info@rockfon.dk | Revision No.: 1 | | |

We kindly draw your attention to the fact that the above drawings should be considered as guidelines and therefore are without responsibility on the part of Rockfon.