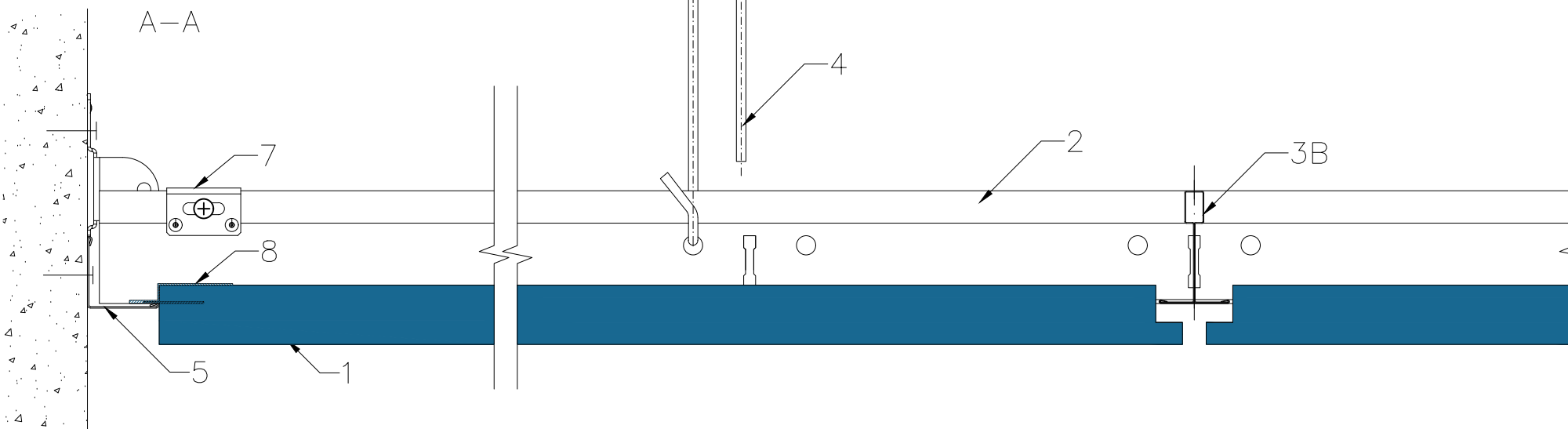


1. Tile ROCKFON, edge M
2. Mainrunner T24 C/H38 3600 white
- 3B. Cross Tee T24 C38 1200 white
4. Adjustable hanger
5. Wall Angle 24/24 3050 white
7. Wall and bridging bracket
8. Clip on cutted A-edge



All screws and other fastenings shown are indicative and illustrative only.  
Specific fasteners should be chosen dependent on substrates and materials being used.

**Information:**

Rockfon system M T24  
Perimeter detail  
Wall angle – M2 edge perimeter clip  
Perimeter cut to "A" edge

We kindly draw your attention to the fact that the above drawings should be considered as guidelines and therefore are without responsibility on the part of Rockfon.

**Date:**  
15-11-2022

**Drawing No.:**  
SCA-01-T24-MM-13.3

**Contact information:**  
info@rockfon.dk

**Drawing Type:**  
TECHNICAL

**Drawn by:**  
OPTS

**Scale:**  
1:2

**Revision No.:**  
2

